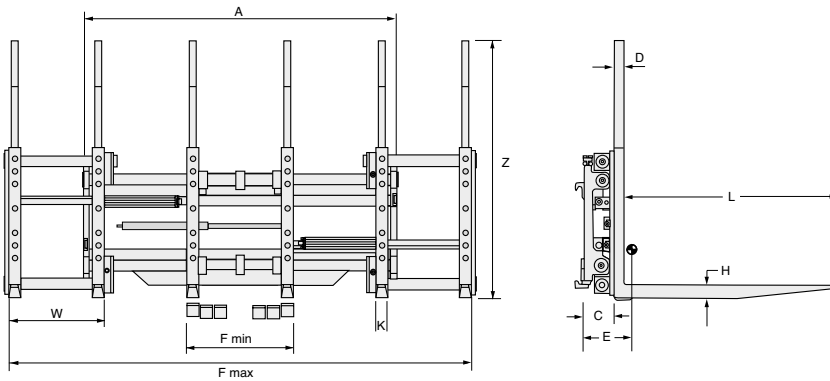




The MEYER 3/2/1 Pallet Handler can handle 1, 2 or 3 pallets side by side. Its unique encapsulated Shaft Guide Concept provides an optimum of visibility and clean working environment. The high working speed with synchronised fork travel and separate side-shift function allow for a safe, ergonomic and efficient operation. The interchangeable bolt-on forks are hydraulically operated from the drivers position. Many special designs, such as customized load backrests, load stabilizers or an additional load extension are available.





**Range:** 2000 kg - 4000 kg

**Plus:**

- Shaft type design.
- Triple pallet handler for handling one, two or three pallets.
- Excellent visibility through the body.
- Incorporated load backrests.
- Synchronized fork movement.
- Interchangeable bolt-on forks with specially reinforced heel area. High quality steel.
- With separate sideshift, which provides constant sideshift range regardless of the fork opening.

**Video** (Icon klicken zum abspielen)

**Innovative Lösungen für die Getränkelogistik** (Icon klicken zum öffnen)

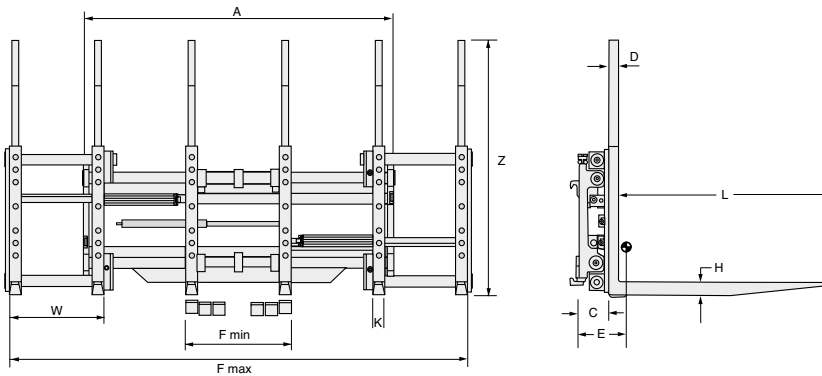
Model	Capacity	Load centre	for FLT capacity max.	Chassis width	Sideshift per side	Opening range	Load guard height	Fork section	Fork spread	Fork length	Fork upright	Lic	Cog	Weight	Mounting class
	Q kg	LSP mm	t/LSP	A mm	S mm	F mm	Z mm	KxH mm	W <sup>①</sup> mm	L mm	D mm	C mm	E mm	M kg	ISO Kl.
6-5304F	2000	600	2,5/500	1.550	100	560-2240	1.350	60x50	500	1150	50	157	216	655	2 A
6-5304F	2000	600	2,5/500	1.650	100	560-2340	1.350	60x50	500	1150	50	157	210	695	2 A
6-5304F	2000	600	2,5/500	1.750	100	560-2440	1.350	60x50	500	1150	50	157	209	710	2 A
6-5306G	3000	600	4,0/500	1.560	100	560-2310	1.350	60x50	510	1150	50	175	216	720	3 A
6-5306G	3000	600	4,0/500	1.660	100	560-2410	1.350	60x50	510	1150	50	175	214	740	3 A
6-5306G	3000	600	4,0/500	1.760	100	560-2510	1.350	60x50	510	1150	50	175	213	760	3 A
6-5307F	3600	600	4,5/600	1.560	100	560-2240	1.350	60x60	500	1150	60	184	220	810	3 A
6-5307F	3600	600	4,5/600	1.660	100	560-2340	1.350	60x60	500	1150	60	184	210	830	3 A
6-5307F	3600	600	4,5/600	1.760	100	560-2440	1.350	60x60	500	1150	60	184	204	850	3 A
6-5308F	4000	600	6,0/600	1.660	100	560-2340	1.350	60x60	500	1150	60	184	230	930	4 A
6-5308F	4000	600	6,0/600	1.760	100	560-2440	1.350	60x60	500	1150	60	184	230	950	4 A

**Notes:**

- Additional hydraulics required: - two.
- The unit has a separate sideshift.
- Equipped with high quality bolt-on forks.
- Types 6-5304F, 05F, 06F, 07F and 08F with interchangeable forks.
- Minimum carriage width of truck:  
6-5304F/05F/06F/07F/08F 1100 mm
- <sup>①</sup> Fork spread over inner pair of forks 560 mm.

**Options:**

- Alternative capacities, fork lengths and fork section.
- Extending 2/1 pallet fork.
- Special load backrest.
- Sideshift +/- 150mm. Types 6-5304F/05F/06F/07F/08F. A=1200 mm.
- Quick disconnect lower hooks.
- Automatic lubrication system (only for F-Serie)



**Range:** 2000 kg - 4000 kg

**Plus:**

- 3/2/1 pallet handler to lift one, two or three pallets.
- To handle different pallet sizes side by side or with gap between them.
- Optimum visibility and synchronised movement of the bolt-on forks increase the efficiency and safety of the lift truck.
- Without sideshift for application where the sideshift of truck can be used.
- Bolt-on forks with specially reinforced heel area.

**Video** (Icon klicken zum abspielen)

**Innovative Lösungen für die Getränkelogistik** (Icon klicken zum öffnen)

Model	Capacity	Load centre	for FLT capacity max.	Chassis width	Opening range	Load guard height	Fork section	Fork spread	Fork length	Fork upright	Lic	Cog	Weight	Mounting class
	Q kg	LSP mm	t/LSP	A mm	F mm	Z mm	KxH mm	W <sup>⊕</sup> mm	L mm	D mm	C mm	E mm	M kg	ISO Kl.
6-6904F	2000	600	2,5/500	1550	560-2240	1350	60x50	500	1150	50	157	215	650	2A
6-6904F	2000	600	2,5/500	1650	560-2340	1350	60x50	500	1150	50	157	209	690	2A
6-6904F	2000	600	2,5/500	1750	560-2440	1350	60x50	500	1150	50	157	208	705	2A
6-6906G	3000	600	4,0/500	1560	560-2310	1350	60x50	510	1150	50	175	215	715	3A
6-6906G	3000	600	4,0/500	1660	560-2410	1350	60x50	510	1150	50	175	213	735	3A
6-6906G	3000	600	4,0/500	1760	560-2510	1350	60x50	510	1150	50	175	212	755	3A
6-6907F	3600	600	4,5/600	1560	560-2240	1350	60x60	500	1150	60	184	219	805	3A
6-6907F	3600	600	4,5/600	1660	560-2340	1350	60x60	500	1150	60	184	209	825	3A
6-6907F	3600	600	4,5/600	1760	560-2440	1350	60x60	500	1150	60	184	203	845	3A
6-6908F	4000	600	6,0/600	1660	560-2340	1350	60x60	500	1150	60	184	230	915	4A
6-6908F	4000	600	6,0/600	1760	560-2440	1350	60x60	500	1150	60	184	230	935	4A

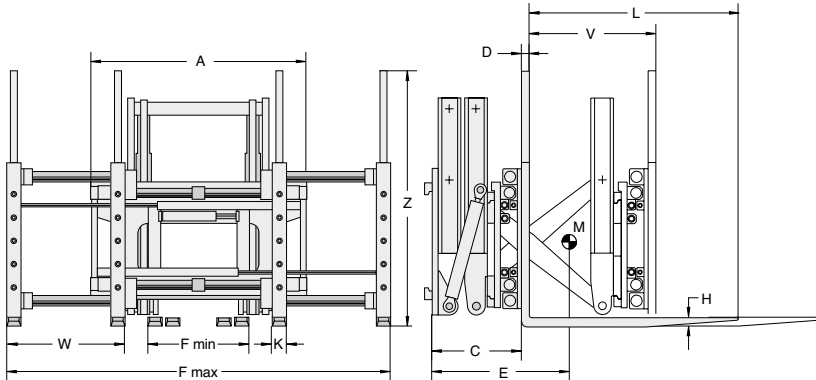
**Notes:**

- Additional hydraulics required: - one.
- Equipped with high quality bolt-on forks.
- Types 6-6904F, 05F, 06F, 07F and 08F with interchangeable forks.
- Minimum carriage width of truck:  
6-6904F/05F/06F/07F/08F 1100 mm
- The Meyer 1-2-3 pallet handler can be fitted to any sideshift already existing on the truck.
- ⊕ Fork spread over inner pair of forks 560 mm.

**Options:**

- Other capacities, fork lengths and opening ranges.
- Extending 3/2/1 pallet fork.
- Special load backrest.
- Quick disconnect lower hooks.
- Automatic lubrication system (only for F-Serie)

### Type 6-52F-V



**Range:** 1200 kg - 2000 kg

**Plus:**

- The MEYER load-extending pallet handlers enables loading and unloading from one side of the road vehicle (further characteristics and function as the 2/1 and 3/2/1 pallet clamps).



**Innovative Lösungen für die Getränke Logistik** (Icon klicken zum öffnen)

Model	Capacity	Load centre	for FLT capacity max.	Chassis width	Sideshift per side	Opening range	Load guard height	Fork section	Fork spread	Fork length	extension	Fork upright	L/c	Cog	Weight	Mounting class
	Q kg	LSP mm	t/LSP	A mm	S mm	F mm	Z mm	KxH mm	W mm	L mm	V mm	D mm	C mm	E mm	M kg	ISO Kl.
<b>2/1 Multi Pallet Handler - Type 6-52G-V</b>																
6-5204G-V	2000	600	4,5/600	1200	100	550-1930	1350	80x40	540	1150	735	40	492	910	1025	3 A
<b>3/2/1 Multi Pallet Handler - Type 6-53F-V</b>																
6-5304F-V	1200	600	4,5/600	1550	100	560-2340	1350	60x50	500/560	1150	735	50	460	950	1180	3 A

**Notes:**

- Additional hydraulics required
- > three for use of sideshift, extension and fork positioning function
- The unit has an integrated sideshift movement
- Equipped with high-quality bolt-on forks

**Options:**

- Other capacities, fork lengths and opening ranges.
- Solenoid valve
- Solenoid valve control kit (cable drum, push button, relay)