

Paper Roll Clamps

Models TRA-N



The Bolzoni Auramo TRA-N tilting and rotating paper roll clamps are designed for vertical and horizontal handling of single paper rolls.

They are an ideal solution for sideloading and unloading of horizontally positioned paper rolls from trailers, trucks and wagons.

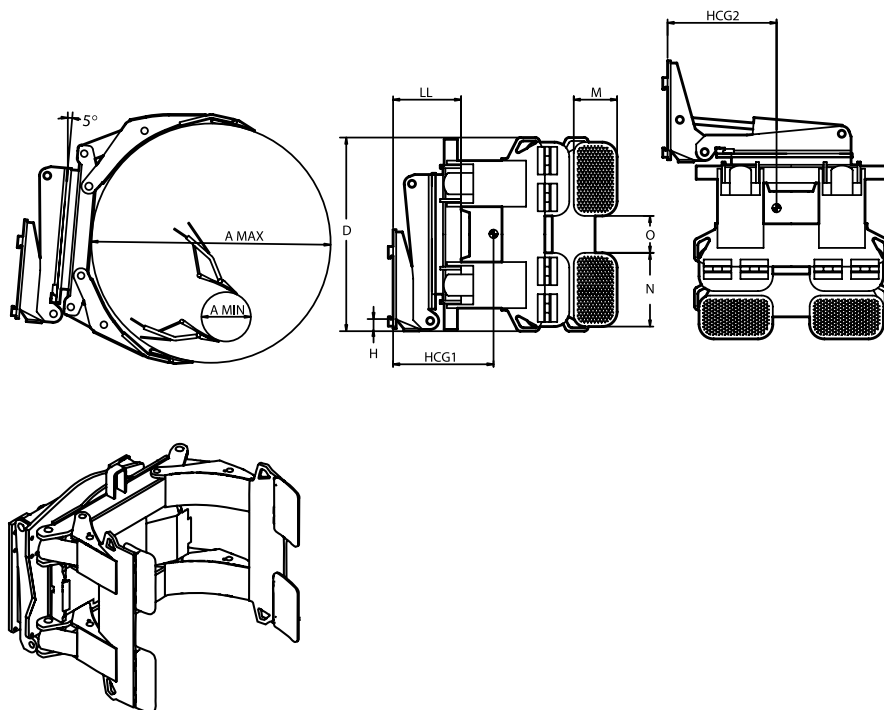
90-degree forward tilt with built-in checkvalve enables safe and efficient lifting of the horizontal paper rolls.

180-degree fast rotation with hydraulic cushioning in the vertical positions enhances the handling efficiency and flexibility.

Pivoting arm design offers a wide roll diameter range. The clamp has a short and a long arm. The short arm is hydraulically positionable to increase the roll range. The long arm is the clamping arm.

A wide selection of accessories, as well as several mounting and contact pad options are available.





Range: 2200 Kg - 4500 Kg

- Tilting and rotating paper roll clamp for vertical and horizontal roll handling.
- Pivoting arm movement. Short and long arms. Several different arm and contact pad options in standard series.
- 90-degree tilt with built-in check-valve.
- Thin-arm-profile design ensures tight stacking and effective damage-free handling with excellent visibility.
- 180-degree rotation, with hydraulic cushioning in the vertical positions.

Model	Capacity	Load Centre	Roll Range	Height	Weight	Horizontal Centre of Gravity	Vertical Centre of Gravity	Effective Thickness	Contact Pads	Contact Pad Gap	Mounting Height	Mounting Class
	Q kg	BP1/BP2 mm ^①	A mm ^②	D mm	W Kg	HCG1/HCG2 mm ^③	VCG mm	LL mm	M x N mm	O mm	H mm	ISO 2328
TRA-220-N	2200	650 /1200	250-1300	1040	1060	390/635	④	430	240x400	200	80	2 / 3 A
TRA-230-N	2300	900 /1200	250-1800	1040	1100	435/635	④	430	240x400	200	80	2 / 3 A
TRA-250-N	2500	800 /1200	250-1600	1040	1080	415/635	④	430	240x400	200	80	2 / 3 A
TRA-300-N	3000	650 /1200	250-1300	1040	1060	390/635	④	430	240x400	200	80	2 / 3 A
TRA-280-N	2800	915 /1300	250-1830	1240	1540	445/730	④	460	280x500	200	80	3 / 4 A
TRA-320-N	3200	800 /1300	250-1600	1240	1520	430/725	④	460	280x500	200	80	3 / 4 A
TRA-350-N	3500	650 /1300	250-1300	1240	1500	415/725	④	460	280x500	200	80	3 / 4 A
TRA-350-NL	3500	800 /1300	250-1600	1240	1625	455/720	④	490	280x500	200	80	4 A
TRA-380-N	3800	915 /1300	300-1830	1240	1655	470/725	④	490	280x500	200	80	4 A
TRA-400-N	4000	800 /1300	250-1600	1240	1625	455/720	④	490	280x500	200	80	4 A
TRA-450-N	4500	650 /1300	250-1300	1240	1595	440/720	④	490	280x500	200	80	4 A

Notes:

- Three hydraulic functions required.
- Consult Bolzoni for hydraulic pressure and flow rate recommendations.
- Standard contact pads: cast pad with high-friction surface.
- ① Load centre is rated in the vertical and horizontal tilted positions.
- ② Minimum roll range in the horizontal tilted position is greater. Consult Bolzoni.
- ③ Horizontal centre of gravity is indicated in the vertical position and in the horizontal tilted position.
- ④ Consult Bolzoni regarding factory specifications.

Options:

- Special roll ranges.
- Full-length contact pads on short arm side.
- Short arm on right or left side.
- Contact pad options:
 - steel-sprayed
 - polyurethane-faced
 - rubber faced
 - flexible.

