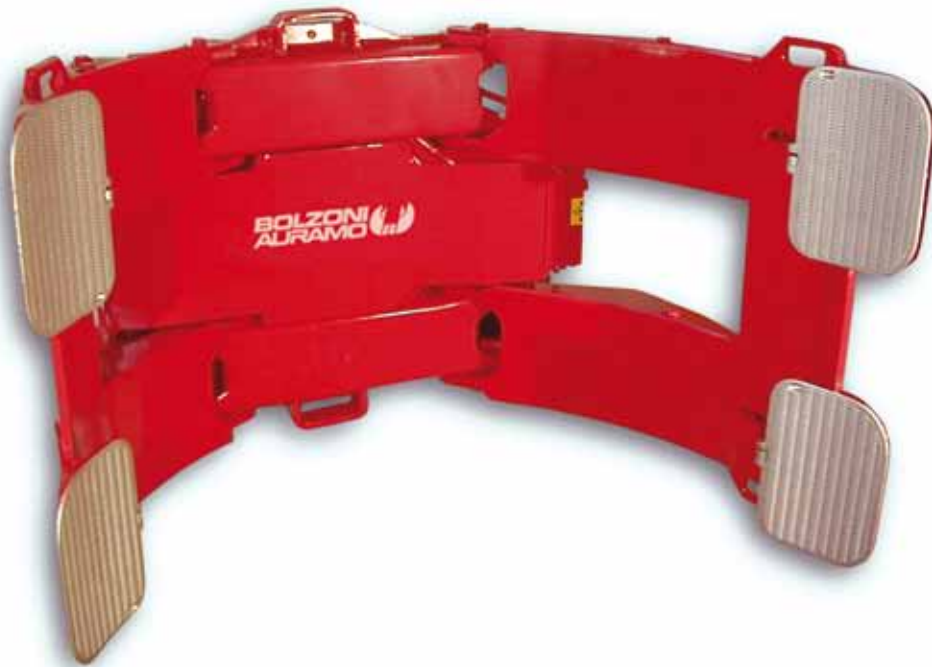


# Paper Roll Clamps

## Models RA-N



The Bolzoni Auramo RA-N model paper roll clamps are an ideal solution for all professional paper handling. A variety of applications can be found in paper mills, harbors, paper warehouses and transport companies.

RA-N clamps are designed for vertical and horizontal handling of single paper rolls. Several models are available with a wide capacity and roll range choice.

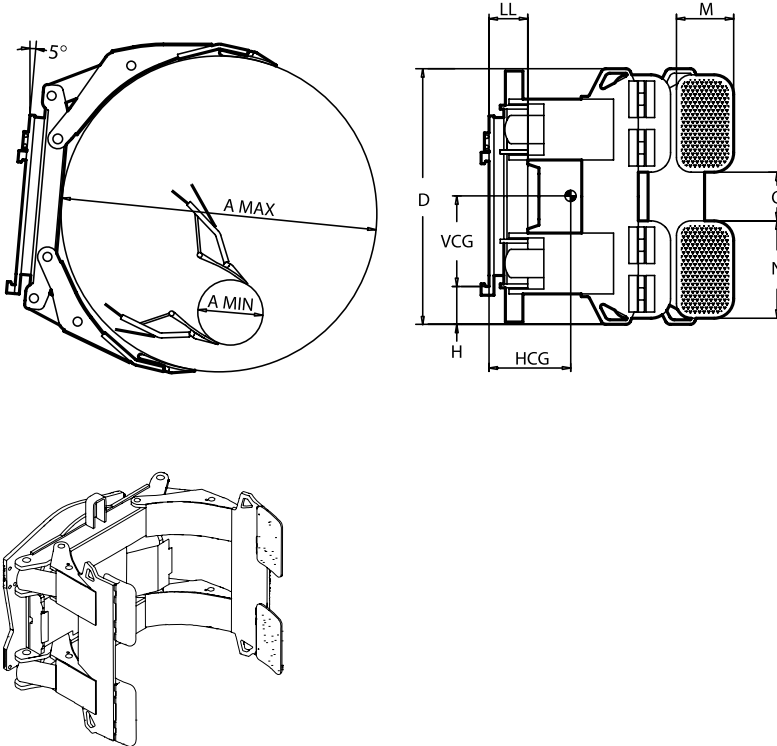
Depending on the chosen model, the clamps are able to handle paper rolls from 5.000 kg up to 7.000 kg, with maximum paper

roll diameter from 1.600 mm up to 2.500 mm.

Pivoting arm movement with short and long arms provides wide roll range. The short arm is hydraulically positionable to provide a wider roll range.

Well-proven, 180-degree rotation with a rack-and-pinion mechanism gives fast and high-torque rotation. Vertical end positions have a hydraulic cushioning. This reduces dynamic loads directed to paper roll and clamp, and reduces damage. Several contact pad options available.





**Range:** 5000 Kg - 7000 Kg

- Rotating paper roll clamp for vertical and horizontal handling of single rolls.
- Pivoting arm movement. Mobile long arm and positionable short arm. Several contact pad options in standard series.
- 180-degree rotation. Hydraulic cushioning in the vertical positions.

Model	Capacity	Load Centre	Roll Range	Height	Weight	Horizontal Centre of Gravity	Vertical Centre of Gravity	Effective Thickness	Contact Pads	Contact Pad Gap	Mounting Height	Mounting Class
	Q kg	BP mm	A mm	D mm	W Kg	HCG mm	VCG mm	LL mm	M x N mm	O mm	H mm	ISO 2328
RA-500-NL	5000	1250	600-2500	1440	2150	460	475	260	400x600	200	230	4 A HD
RA-515-NL	5150	1200	600-2400	1440	2120	445	475	260	400x600	200	230	4 A HD
RA-530-NL	5300	1150	550-2300	1440	2090	435	475	260	400x600	200	230	4 A HD
RA-550-NL	5500	1100	550-2200	1440	2065	425	475	260	400x600	200	230	4 A HD
RA-560-NL	5600	1050	580-2100	1440	2040	415	475	260	400x600	200	230	4 A HD
RA-580-NL	5800	1000	500-2000	1440	2000	410	475	260	400x600	200	230	4 A HD
RA-600-NL	6000	950	500-1900	1440	1955	400	475	260	400x600	200	230	4 A HD
RA-630-NL	6300	915	500-1830	1440	1900	390	475	260	400x600	200	230	4 A HD
RA-660-NL	6600	850	500-1700	1440	1875	385	475	260	400x600	200	230	4 A HD
RA-700-N	7000	800	500-1600	1440	1850	380	475	260	400x600	200	230	4 A HD

### Notes:

- Two hydraulic functions required.
- Standard contact pads: rubber faced or steel sprayed.
- Minimum 5-degree forward tilt on lift mast is required for horizontal handling.
- For 0-degree tilt, special arms are available. Consult Bolzoni.

### Options:

- Special roll ranges.
- Contact pad options:
  - polyurethane faced
  - full length contact pads
  - cast pads not available.

