

Paper Roll Clamps

Models RA-NJ



Series RA-NJ paper roll clamps are an ideal solution for all professional paper handling. A variety of applications can be found in paper mills, harbors, paper warehouses and transport companies.

The clamps are designed for vertical and horizontal handling of 1 - 2 paper rolls. Several model sizes are available with a wide capacity and roll range choice.

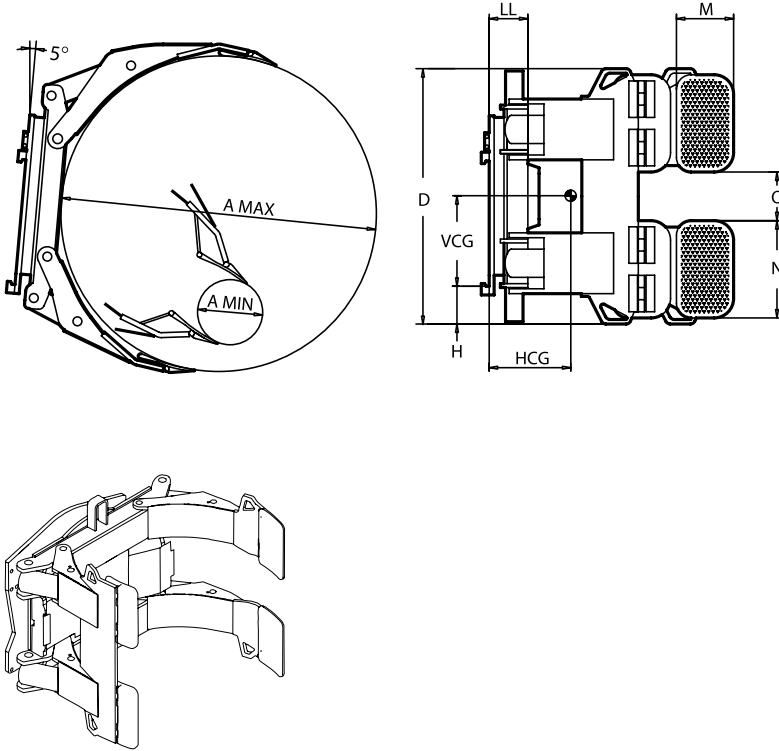
Depending on the chosen model, RA-NJ series clamps are able to handle paper rolls from 5.000 kg up to 7.000 kg, with maximum paper roll diameter from 1.600 mm up to 2.500 mm.

Pivoting arm movement, with short and long arms, provides a wide roll range. Long arm is split to enable safe and non-damaging handling of one or two paper rolls. The short arm is hydraulically positionable to provide a wider roll range.

Well-proven, 180-degree rotation with a rack-and-pinion mechanism gives fast and high-torque rotation. Vertical end positions have a hydraulic cushioning.

Several contact pad options available.





Range: 5000 Kg - 7000 Kg

- Rotating paper roll clamp for vertical and horizontal roll handling of 1-2 rolls.
- Pivoting arm movement. Short and long arms. Split long arm. Several contact pad options in standard series.
- 180-degree rotation, with hydraulic cushioning in the vertical positions.
- Positionable short arm.

Model	Capacity	Load Centre	Roll Range	Height	Weight	Horizontal Centre of Gravity	Vertical Centre of Gravity	Effective Thickness	Contact Pads	Contact Pad Gap	Mounting Height	Mounting Class
	Q kg	BP mm	A mm	D mm	W Kg	HCG mm	VCG mm	LL mm	M x N mm	O mm	H mm	ISO 2328
RA-500-NLJ	5000	1250	600-2500	1440	2130	455	475	260	400x600	200	230	4 A HD
RA-515-NLJ	5150	1200	600-2400	1440	2100	445	475	260	400x600	200	230	4 A HD
RA-530-NLJ	5300	1150	550-2300	1440	2070	435	475	260	400x600	200	230	4 A HD
RA-550-NLJ	5500	1100	550-2200	1440	2045	425	475	260	400x600	200	230	4 A HD
RA-560-NLJ	5600	1050	580-2100	1440	2020	415	475	260	400x600	200	230	4 A HD
RA-580-NLJ	5800	1000	500-2000	1440	1980	410	475	260	400x600	200	230	4 A HD
RA-600-NLJ	6000	950	500-1900	1440	1930	390	475	260	400x600	200	230	4 A HD
RA-630-NLJ	6300	915	500-1830	1440	1870	390	475	260	400x600	200	230	4 A HD
RA-660-NLJ	6600	850	500-1700	1440	1850	385	475	260	400x600	200	230	4 A HD
RA-700-NJ	7000	800	500-1600	1440	1830	380	475	260	400x600	200	230	4 A HD

Notes:

- Two hydraulic functions required.
- Standard contact pads: rubber faced or steel sprayed.
- Minimum 5-degree forward tilt on lift mast is required for horizontal handling.
- For 0-degree tilt, special arms are available. Consult Bolzoni.

Options:

- Special roll ranges.
- Contact pad options:
 - polyurethane faced
 - full length contact pads
 - cast pads not available.

