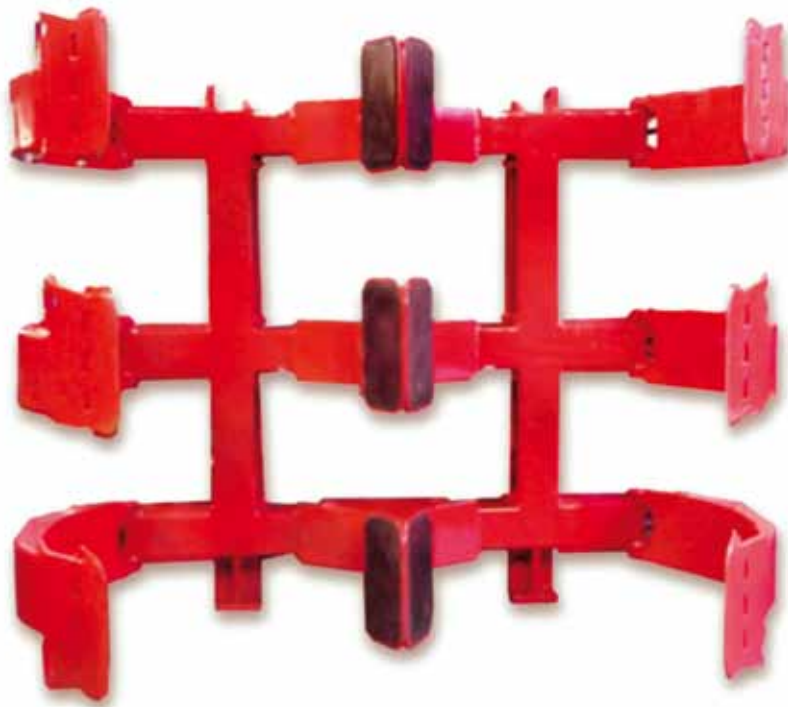


Paper Roll Clamps

Models LA-6



The Bolzoni Auramo LA-6 model paper roll clamps are designed for high volume paper handling in paper mills, harbors, paper warehouses and transport companies.

The clamps are designed for vertical handling of 2 - 8 paper rolls. Several model sizes available with a wide capacity and roll range choice.

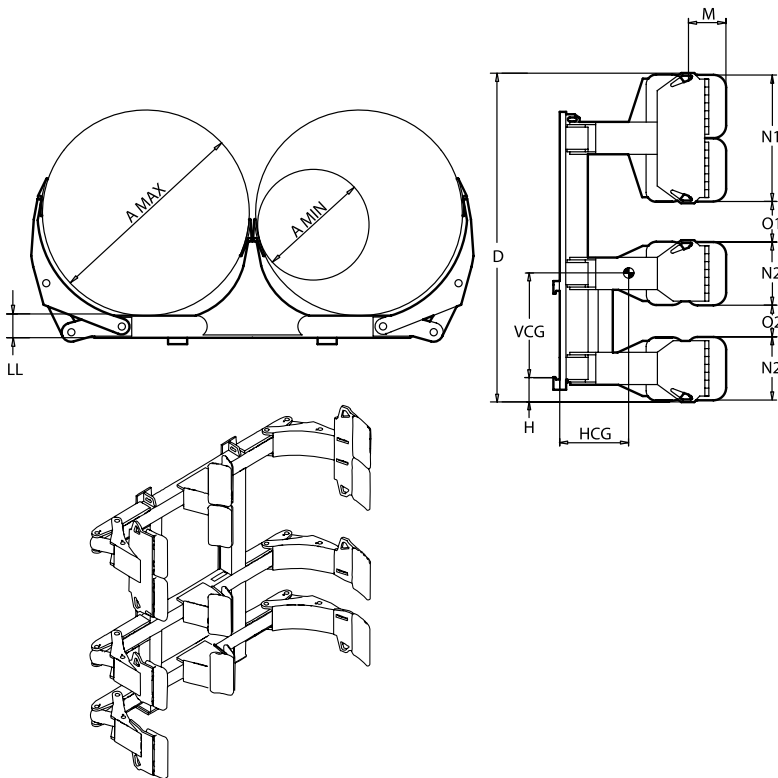
Depending on the chosen model, the clamps are able to handle paper rolls from 7.500 kg up to 12.000 kg, with maximum paper roll diameter from 2 x 1.300 mm up to 2 x 1.800 mm.

Pivoting arm movement, with short and long arms, provides wide roll range. Twin arm pairs enable the handling of two rolls side-by-side and 3 or 4 rolls on top of each other. Fixed short center arms.

Long arms are split to enable safe and non-damaging handling of two paper rolls on top of each other.

Several contact pad options available.





Range: 7500 Kg - 12000 Kg

- Multiple Paper Roll clamp for vertical handling of 2-8 rolls at a time.
- Pivoting arm movement. Six equal length split long arms, fixed center arm. Several arm and contact pad options in standard series.
- Thin-arm-profile ensures tight stacking with excellent visibility and damage-free handling.
- Strong light body with favorable effective thickness maximizes the residual capacity of the truck.

Model	Capacity	Load Centre	Roll Range	Height	Weight	Horizontal Centre of Gravity	Vertical Centre of Gravity	Effective Thickness	Contact Pads	Contact Pad Gap	Mounting Height	Mounting Class
	Q kg	BP mm	A mm	D mm	W Kg	HCG mm	VCG mm	LL mm	M x N mm	O mm	H mm	ISO 2328
LA-750-6	7500	650	2x[800-1300]	①	1460	320	①	160	240x400	①	①	②
LA-900-LS6	9000	900	2x[1000-1800]	①	2210	360	①	200	280x500	①	①	②
LA-900-L6	9000	800	2x[900-1600]	①	2190	330	①	200	280x500	①	①	②
LA-900-6	9000	650	2x[800-1300]	①	2100	320	①	200	280x500	①	①	②
LA-1200NL-6	12000	750	2x[900-1500]	①	2180	400	①	200	280x500	①	①	②
LA-1200N-6	12000	650	2x[800-1300]	①	2120	340	①	200	280x500	①	①	②

Notes:

- One hydraulic function required.
- Consult Bolzoni for hydraulic pressure and flow rate recommendations.
- Standard contact pads: cast pad with high-friction surface.
- ① Consult Bolzoni.
- ② Special mounting required.

Options:

- Special roll ranges.
- Separate sideshift.
- Independent arm movement.
- Contact pad options:
 - steel-sprayed
 - polyurethane-faced
 - rubber faced
 - flexible.
- Hydraulically adjustable frame width. Easy clamp width adjustment to varying paper roll diameter ranges.
- Hydraulically adjustable upper frame. Easy clamp height adjustment to varying paper roll and roll stack height.

