

Paper Roll Clamps

Models BA-RJ



The Bolzoni Auramo BA-RJ model non-rotating sliding-arm clamps are designed for handling 1 to 4 paper rolls. Twinpack handling capability with two rolls side by side and two on top, as well as single roll handling, makes the clamp highly versatile.

Typical application fields are in paper mills, warehouses and harbors, where high handling efficiency is required.

Like all Bolzoni Auramo paper handling attachments, the Series BA-RJ clamps offer uncompromising handling properties. The thin and smooth arm and contact pad design enables easy and tight stacking, and helps to utilize the storage space more efficiently.

The split left arm adjusts automatically to varying paper roll diameters allowing safe and damage-free handling of two rolls on top of each other.

Good visibility through the clamp frame increases operation safety.

Internal sideshift is a standard feature of BA-RJ clamps. With the sideshift, loading and unloading can be done more precisely and with less lift truck manoeuvring.

The strong steel frame and T-profile arm carriers give long service life. Durable, low-friction bearings require a minimal amount of lubrication.

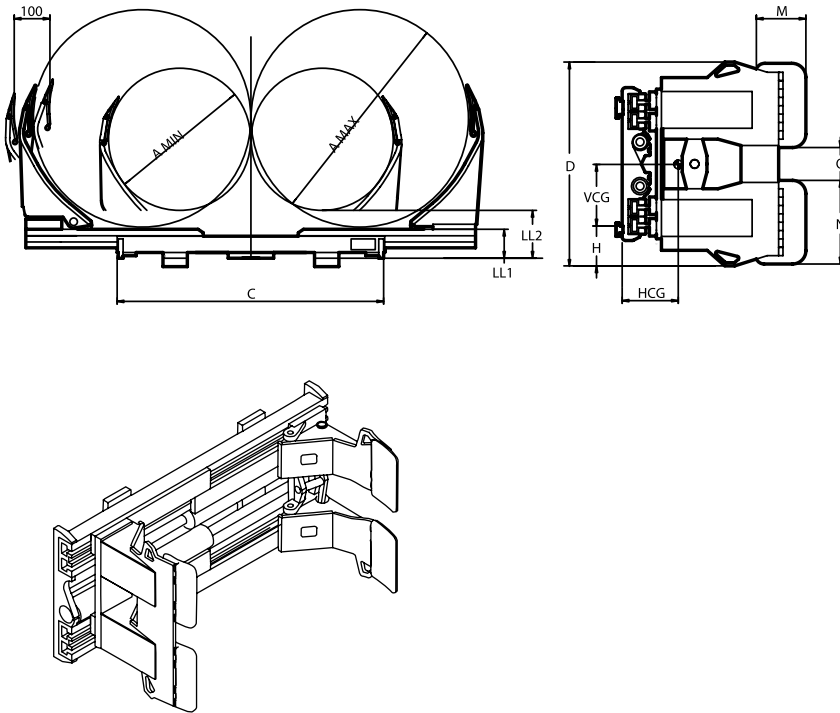
The valve block is well protected behind the clamp body and cartridge-type valves are used for easier service.

Bolzoni Auramo BA-RJ series clamps can be mounted on all standard lift trucks. Several mounting options are available.

Bolzoni Auramo offers a wide variety of options for clamp pad friction surfaces. Please contact your Bolzoni Auramo dealer for more information.

Bolzoni Auramo recommends the use of 4-stage pressure relief valves when handling sensitive paper qualities with varying roll sizes and widths.





Range: 5000 Kg

- Designed for handling 1-4 rolls at a time.
- Equal long arms. Parallel arm movement.
- Split left arm compensates for roll diameter differences.
- Steel profile frame, strong T-profile arm carriers.
- Non-rotating.
- Built-in sideshift improves handling.

Model	Capacity	Load Centre	Roll Range	Frame Width	Height	Weight	Horizontal Centre of Gravity	Vertical Centre of Gravity	Effective Thickness	Contact Pads	Contact Pad Gap	Mounting Height	Mounting Class
	<i>Q</i> kg	<i>BP</i> mm	<i>A</i> mm	<i>C</i> mm	<i>D</i> mm	<i>W</i> Kg	<i>HCG</i> mm	<i>VCG</i> mm	<i>LL1 / LL2</i> mm	<i>M x N</i> mm	<i>O</i> mm	<i>H</i> mm	<i>ISO</i> 2328
BA-50-RJ	5000	650	2x [915-1300]	1600	1240	1610	255	354	200/380	280x500	200	230	4 A
BA-50-LRJ	5000	675	2x [850-1350]	1600	1240	1630	260	354	200/380	280x500	200	230	4 A

Notes:

- Two hydraulic functions required.
- Consult Bolzoni for hydraulic pressure and flow rate recommendations.
- Standard contact pads: cast pad with high-friction surface.

Options:

- Special roll ranges.
- External sideshift.
- Independent arm movement.
- Fixed centre arm and two moveable split arms.
- Full-length contact pads.
- Contact pad options:
 - steel-sprayed
 - polyurethane-faced
 - rubber faced
 - flexible.

